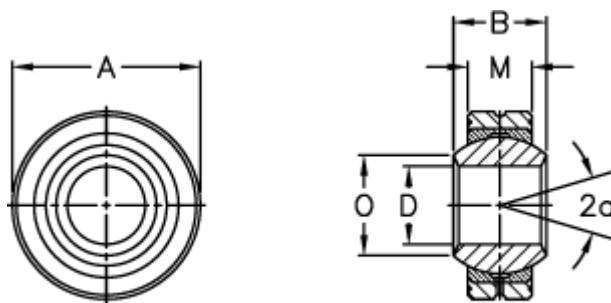


Article number: 03402022

Description: Fluro Rod end GLRS 22

Measures



Str. 3 uden smørerille

A	= 50	Static load C0 (kN) = 229
a (degrees)	= 15	Weight = 270
B	= 28	
D	= 22	
Dynamic load C (kN)	= 38	
M	= 20	
O	= 25.8	
Permissible rpm	= 500	